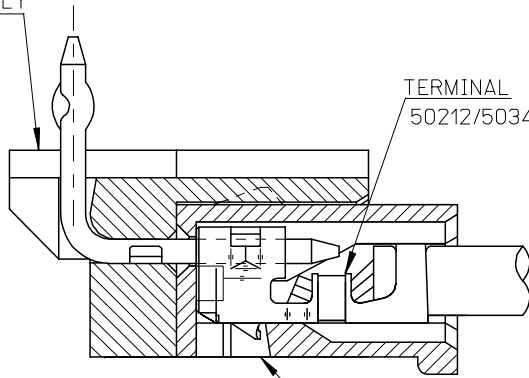


10 9 8 7 6 5 4 3 2 1

F

HEADER HOUSING ASSEMBLY  
53254SERIES

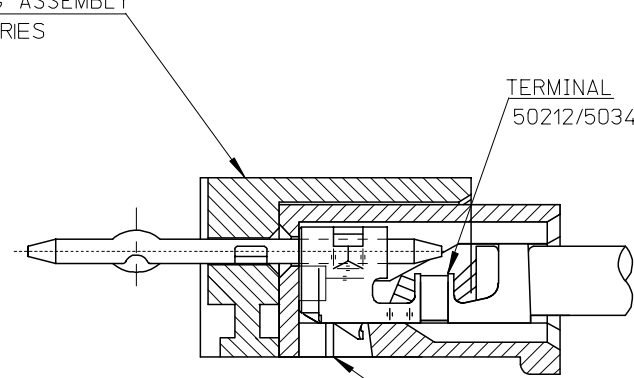


TERMINAL  
50212/50346 SERIES

RECEPTACLE HOUSING  
51065 SERIES

51065シリーズ/53254シリーズ 嵌合状態図 参考  
51065 SERIES/53254 SERIES MATED DRAWING (REF.)

HEADER HOUSING ASSEMBLY  
53253SERIES



TERMINAL  
50212/50346 SERIES

RECEPTACLE HOUSING  
51065 SERIES

51065シリーズ/53253シリーズ 嵌合状態図 参考  
51065 SERIES/53253 SERIES MATED DRAWING (REF.)

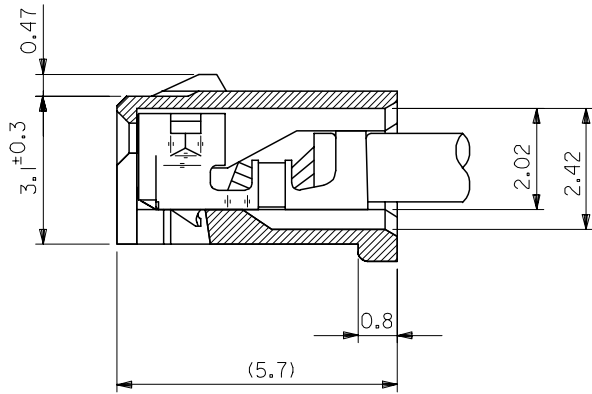
E

D

C

B

A



ターミナル装着状態図  
TERMINAL ASS'Y DWG.

RELEASED EC NO: J2008-2041 DRWN: AOYAGI 2007/11/21 CHKD: THARUYAMA 2007/11/22 APPR: NUKITA 2007/11/22	GENERAL TOLERANCES (UNLESS SPECIFIED)		DIMENSION STYLE MM ONLY	SCALE 10:1	DESIGN UNITS METRIC	THIRD ANGLE PROJECTION
	10 UNDER	±0.2	DRAWN BY Y. AOYAGI	DATE 2007/11/13	TITLE NEW 2.0 W/B CONN. 51065/53253OR51065/53254	
	10 OVER 30 UNDER	±0.25	CHECKED BY N. UKITA	DATE 2007/11/13		
	30 OVER	±0.3	APPROVED BY N. UKITA	DATE 2007/11/13	MOLEX INCORPORATED DOCUMENT NO. SD-51065-006 SHEET NO. 1 OF 1	
	ANGULAR	±1 °	MATERIAL NO.			
DRAFT WHERE APPLICABLE MUST REMAIN WITHIN DIMENSIONS		SEE TABLE		SIZE A3		

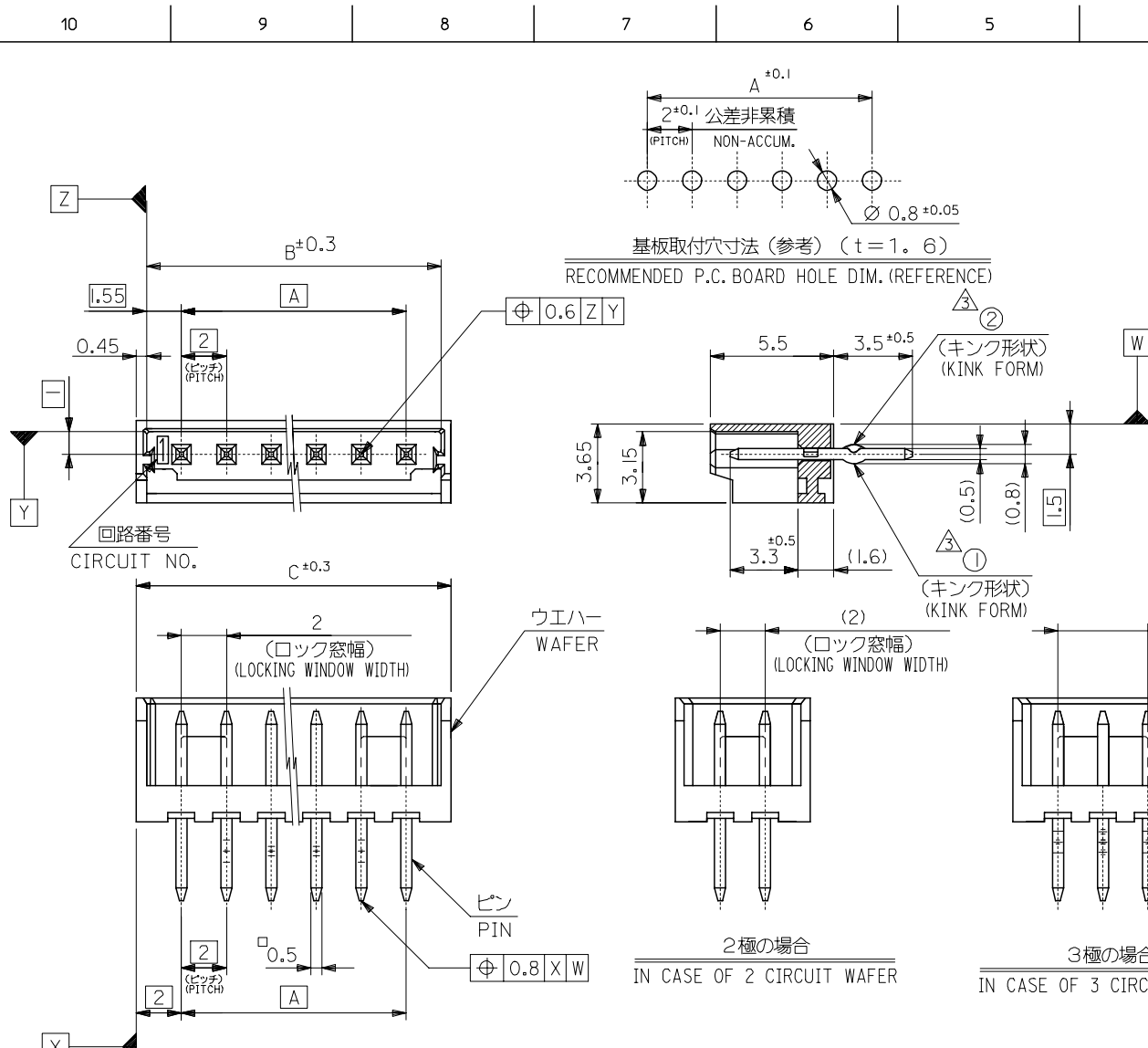
注記 NOTES

1. 嵌合相手：51065 シリーズ  
MATE WITH : 51065 SERIES
2. 材質 MATERIAL  
ウエハー：66ナイロン、UL94V-0  
WAFAER : 66NYLON, UL94V-0  
ピン：黄銅、錫メッキ  
PIN : BRASS, TIN(Sn) PLATING
3. キングは下記表の位置及び形状に付加のこと。2極はキング無し。  
KINK TO BE APPLIED AS FOLLOWS,  
2 CIRCUIT HAS NO KINK.

極数 CKT	回路番号 CKT NO.	回路番号							
		1	2	3	4	5	N-2	N-1	N
6 極以上	MORE THAN 6 CKT	—	①	②	—	—	②	①	—
5 極	5 CKT	①	②	—	②	①			
4 極	4 CKT	①	②	②	①				
3 極	3 CKT	①	②	①					

4. 本製品は、53253-\*\*10の鉛フリー品です。  
THIS PRODUCT IS LEAD FREE OF 53253-\*\*10.
5. 梱包仕様 PACKAGING  
53253-\*\*70 トレー TRAY  
53253-\*\*50 ホリ袋 POLYBAG

32	31.1	28	53253-1550	53253-1570	15
30	29.1	26	-1450	-1470	14
28	27.1	24	-1350	-1370	13
26	25.1	22	-1250	-1270	12
24	23.1	20	-1150	-1170	11
22	21.1	18	-1050	-1070	10
20	19.1	16	-0950	-0970	9
18	17.1	14	-0850	-0870	8
16	15.1	12	-0750	-0770	7
14	13.1	10	-0650	-0670	6
12	11.1	8	-0550	-0570	5
10	9.1	6	-0450	-0470	4
8	7.1	4	-0350	-0370	3
6	5.1	2	53253-0250	53253-0270	2
C	B	A	MATERIAL NO.	MATERIAL NO.	極数
			MODEL NO.	53253-**70/**50	



2極の場合  
IN CASE OF 2 CIRCUIT WAFER

3極の場合  
IN CASE OF 3 CIRCUIT WAFER

REVISED	EC NO. : J2005-2396	DRAWN: NAIDA 2005/02/22	CHKD: KTOJO 2005/02/22	APPR: NUKITA 2005/02/28	GENERAL TOLERANCES (UNLESS SPECIFIED)		DIMENSION STYLE		SCALE	DESIGN UNITS		TITLE
					10 UNDER	±0.2	MM ONLY	5:1	METRIC	THIRD ANGLE PROJECTION		
					10 OVER	±0.25	DRAWN BY	DATE	NEW 2.0 WIRE TO BOARD CONN. WAFER ASSY (ST.) -LEAD FREE-			
					30 OVER	±0.3	T. TSUBOI	'04/01/15	MOLEX INCORPORATED			
					ANGULAR	±3 °	CHECKED BY	DATE				
					DRAFT WHERE APPLICABLE MUST REMAIN WITHIN DIMENSIONS		S. MARUYAMA	'04/01/15	DOCUMENT NO.		SD-53253-001	
							M. SASAO	'04/01/15	SHEET NO.		1 OF 1	
							MATERIAL NO.		THIS DRAWING CONTAINS INFORMATION THAT IS PROPRIETARY TO MOLEX INCORPORATED AND SHOULD NOT BE USED WITHOUT WRITTEN PERMISSION			
							SIZE					
							A3					